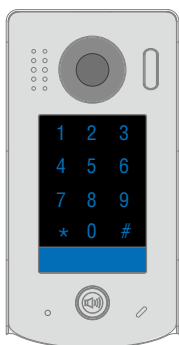


English

# 2-Wire Video Outdoor Station

---

User Manual



CDV96/KP

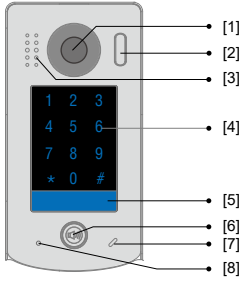


CDV96KP-SF

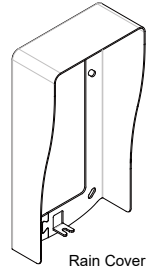
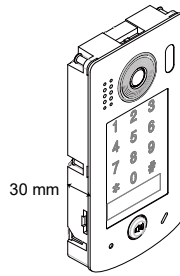
# Contents

1.Parts and Functions.....	1
2.Terminal Descriptions .....	2
3.Mounting.....	2
4.System Wiring and Connections .....	4
5. Pan-tilt & Zoom.....	8
6. Functions Setting Up .....	9
7.Unlock Operations.....	17
8.Specifications .....	17
9.Cables Requirements .....	18
10.Precautions.....	19

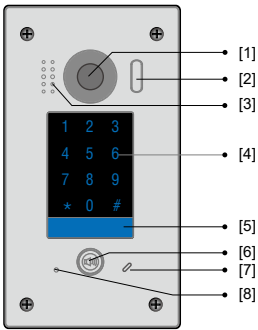
# 1.Parts and Functions



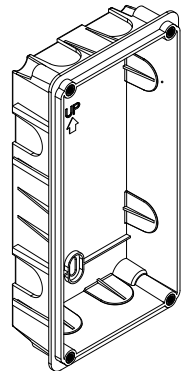
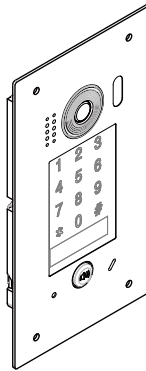
CDV96KP



Rain Cover



CDV96KP



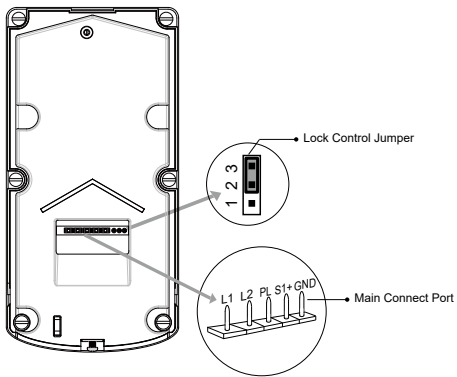
Mounting box

- [1] Camera lens
- [2] Camera LED
- [3] Speaker

- [4] Touch keypad
- [5] Keypad LED
- [6] Call button

- [7] Microphone
- [8] Power LED

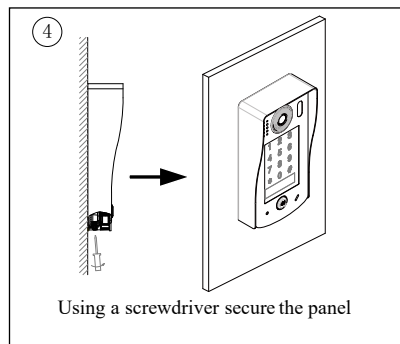
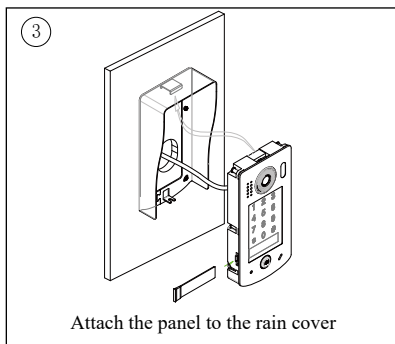
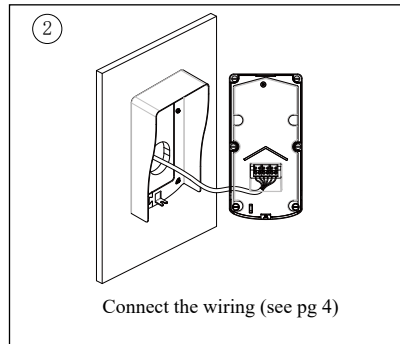
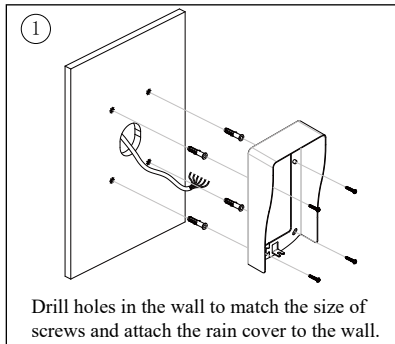
## 2. Terminal Descriptions



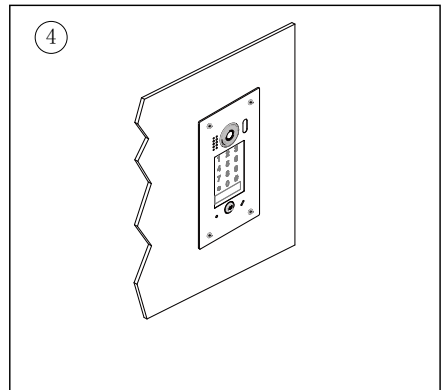
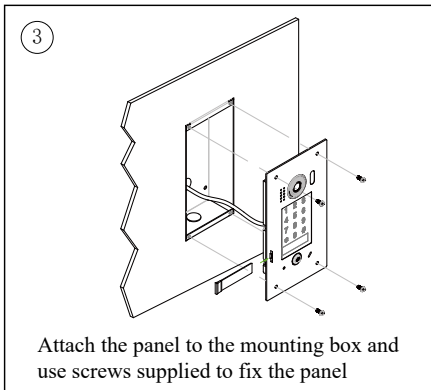
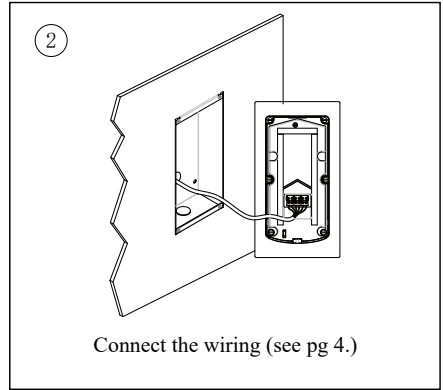
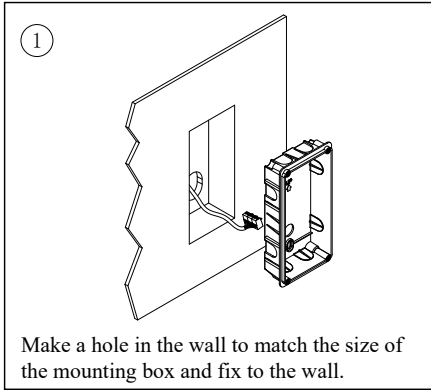
- **Lock Control Jumper:** To select the lock type.
- **Main Connect Port:** For connection of the bus line and the electronic locks.
- **L1,L2:** Bus line connection, no polarity.
- **PL:** External lock power input
- **S1+,GND:** Lock power connection port.

## 3. Mounting

### CDV96KP Mounting

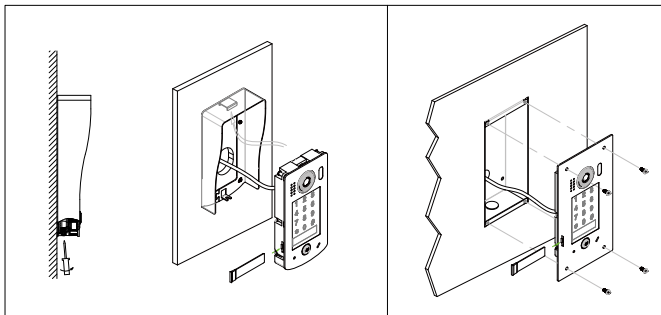


## CDV96KP-SF Mounting



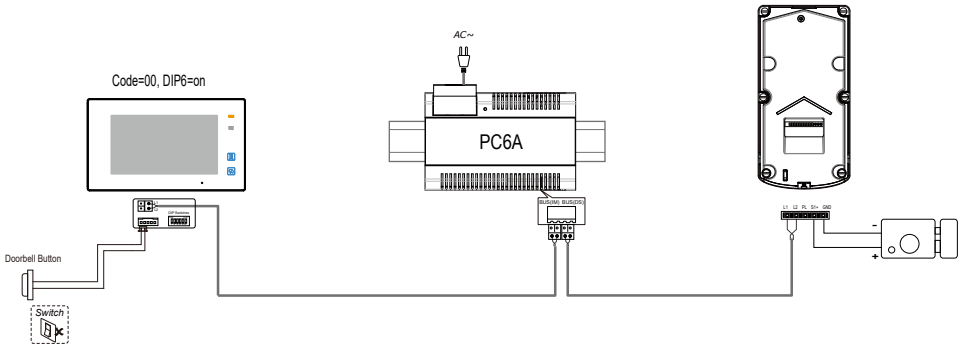
## Placing Name Label

Use a screwdriver to remove the screw holding the panel in place. Slide out the name label as shown.



# 4. System Wiring and Connections

## Basic Connection

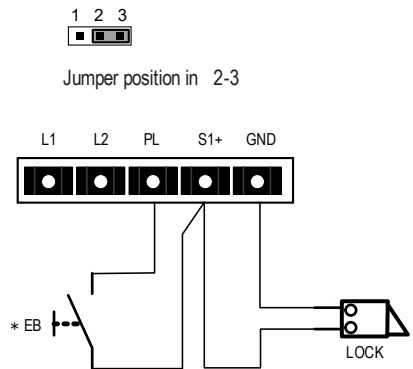


## Electric Lock Connection

### Door Lock Controlled with Internal Power

Note:

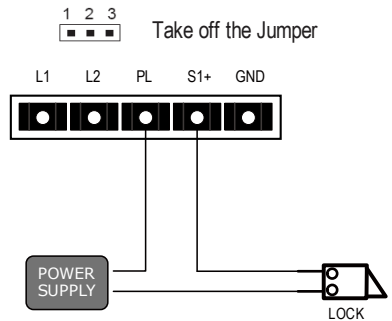
1. This mode only supports Fail Secure (power on to unlock) Strikes
2. The door lock is limited to 12V, and holding current must be less than 250mA.
3. The door lock control is not timed from Exit Button(EB).
4. The **Unlock Mode** Parameter of Monitor must be set to 0 (by default).




## Door Lock Controlled with Dry Contact

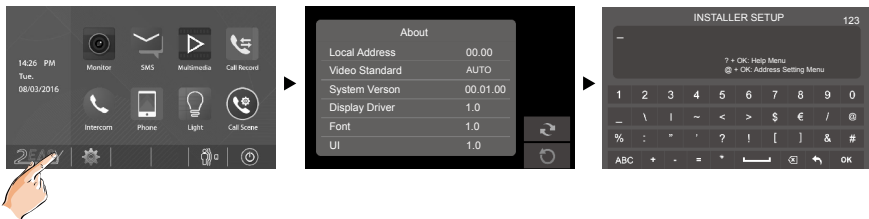
### Note:

1. An external power supply must be used according to the lock power requirements.
2. The internal relay contact is restricted to AC or DC 24V/1A.
3. The jumper must be removed before connecting.
4. Setup the **Unlock Mode** of Monitor for different lock types.
  - Power-on-to-unlock (Fail Secure) type:  
Unlock Mode=0 (by default)
  - Power-off-to-unlock (Fail Safe) type:  
Unlock Mode=1



## Unlock parameter setting(set in monitor)

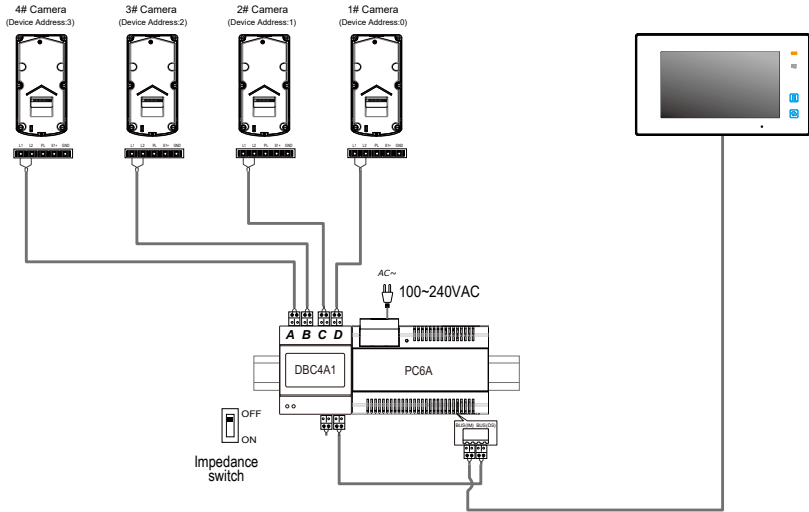
- On main menu page, touch **[Logo]** icon to enter **About** page.
- When the **About** page shows, press  **UNLOCK** button on front panel and hold for 2 seconds.
- A QWERTY keypad is shown. Refer to the following:



### Note:

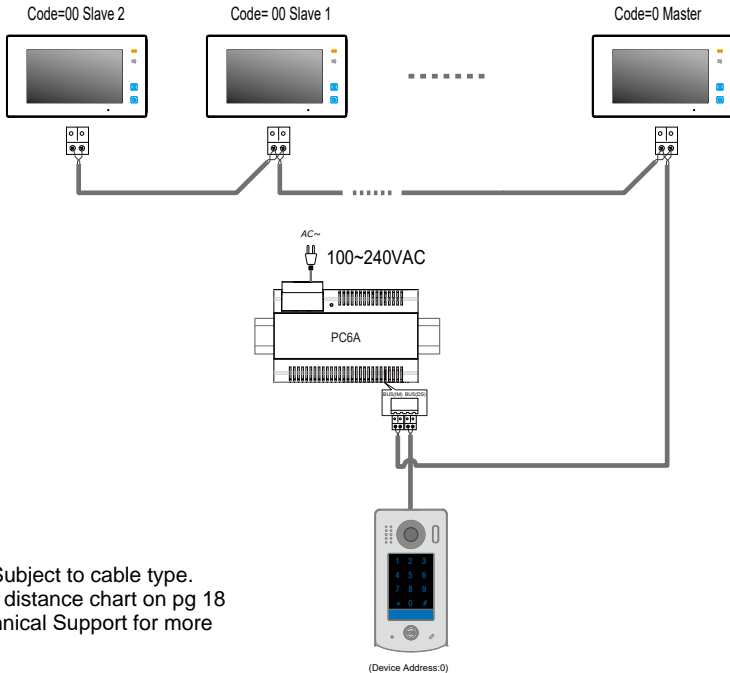
1. The CDV96KP must be connected before setting.
2. A set parameter will be saved in CDV96KP automatically, it only needs to be set on one monitor.

# Multi Door Stations Connection (4 max)



# Multi Monitors Connection (4 Max\*)

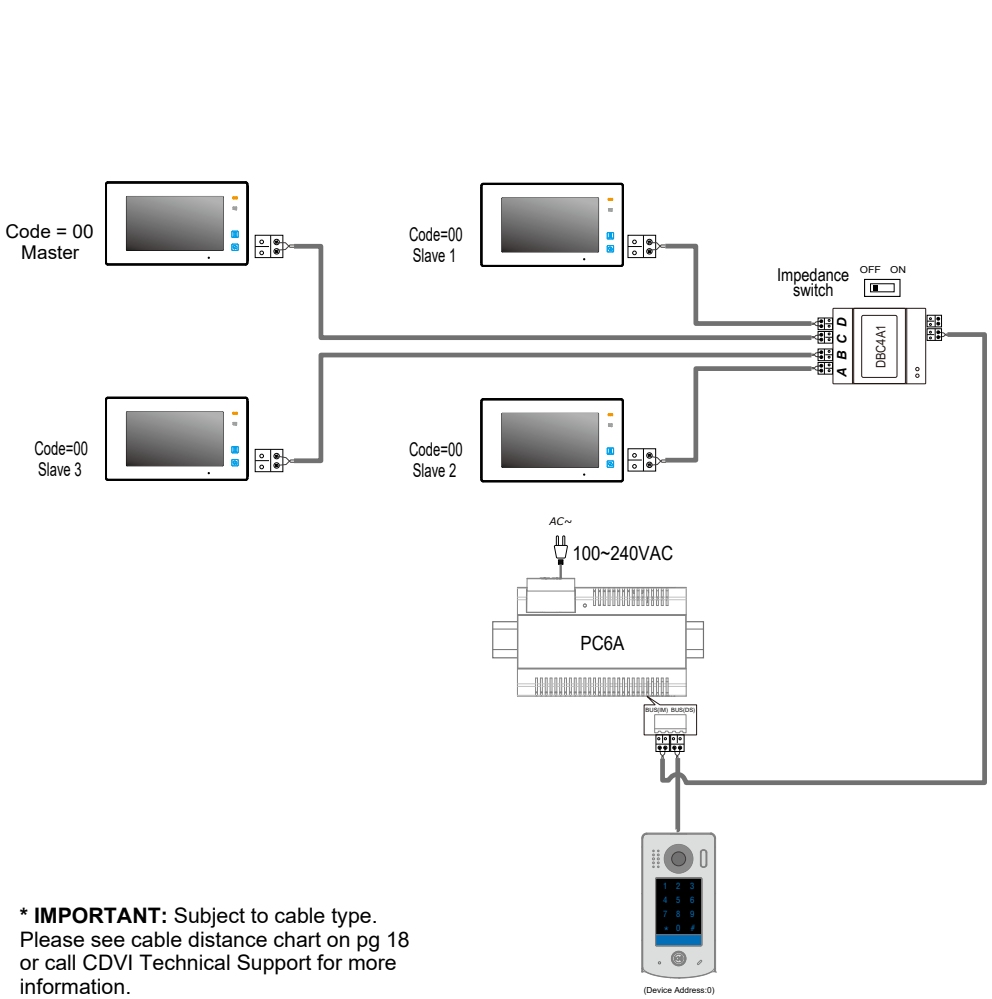
Basic IN-OUT Wiring Mode



**\* IMPORTANT:** Subject to cable type.  
Please see cable distance chart on pg 18  
or call CDVI Technical Support for more  
information.



# With DBC4A1 Wiring Mode (4 Max\*)



**\* IMPORTANT:** Subject to cable type. Please see cable distance chart on pg 18 or call CDVI Technical Support for more information.

## 5. Pan-tilt & Zoom

**Note:** this function requires a monitor with fish-eye function to support i.e. CDV47DX or CDV47MG

If greater detail about visitors is required, move to the desired position by touching on the screen to view the image in pantilt & zoom mode.

When an image at a door station is displayed, move to the desired position by touching ▲ ▼ ● ◀ ▶ on the screen to view the image in zoom mode.

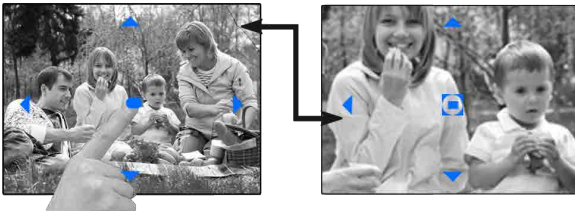
Note: The edge of pan & tilt image will not be displayed.



Screen of monitor

**Here is an example:**

Touch ● icon to zoom the center position.



## 6. Functions Setting Up

This section explains the settings of each function, please refer to the following table:

### About the programming mode:

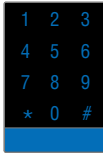
Enter the master code to open the programming mode, enter the corresponding setting code to perform the required function. Enter the value required using the setting codes below. Press "\*" to exit the setting mode.



- The default setting is \* as the cancel button and # as confirm button, please refer to \*/# function (8) setting below for detailed information.
- Sliding a finger to touch the digital keypad may cause erroneous key selection, use a direct finger press to select the digit required.
- The "confirm" button # must be used after inputting the code number each time otherwise the operation will be cancelled automatically in 10s.

Order	Setting items	Setting range	Default value	Setting code
1	Reset all settings	-	1,2,3,4	00
2	Setting the master code	1 ~ 12 digits Valid keys:0 ~ 9	1234	01
3	Setting the key illumination time	10 to 99 seconds/ (00 = continually lit)	10 seconds	02
4	Setting the unlock time	1 to 99 seconds	1 seconds	03
5	Setting the unlock mode	0 = NO / 1 = NC	Normally Open	04
6	Operation tone settings	0 = on / 1: off	on	05
7	Reset code settings	-	1,2,3,4	06
8	*&# function settings	0 = Normal/1 = Reverse	Normal	07
9	Language	Valid keys: 0~9	Enable	08
10	Voice Volume	Valid keys: 0~9	5	09

11	MIC Volume Adjust (Microphone)	Valid keys: 0~9	7	10
12	SPK Volume Adjust	Valid keys: 0~9	4	11
13	Device Address	Valid keys: 0~3	0	12
14	Night Light Level	Valid keys: 0~5	4	13
15	Reserved( <u>not used</u> )	Reserved	Reserved	14~17
16	Temporary Code (Single Use only) Password for relay1	1 ~ 12 digits Valid keys:0~9	-	18
17	Temporary Code (Single Use only) Password for relay2	1 ~ 12 digits Valid keys:0~9	-	19
18	Setting the code for user group 1	1 ~ 12 digits Valid keys:0~9	-	20~59
19	Setting the code for user group2	1 ~ 12 digits Valid keys:0~9	-	60~99
20	Work Mode	0: Apartment/1: Villa	1(villa)	100
21	Call Address	Valid keys: 0 - 9	Villa:00,16 Apartment:00~31	101
22	Display Scene	Valid keys:0~1	0	102
23	TS_Sensitivity (Touch Screen)	Valid keys:0~5	3	103



Each operation is indicated by the lighting up of the different color of digital key and nameplate, and by the sounding of the buzzer.

Input the master code. (Default: [ 1 2 3 4 ] +[#] )	The color of key indicator (blue-white)    Beep+, Beep
--	---

1.Reset all settings	2.Setting the master code (Default : 1234)	3.Setting the key illumination time (Default : 10s)	4.Setting the unlock time (Default : 1s)
----------------------	---	--	---

Enter the setting code. <b>00+#</b>
The colour of key indicator (green)    Beep+, Beep

Enter the setting code. <b>01+#</b>
The colour of key indicator (green)    Beep+, Beep

Enter the setting code. <b>02+#</b>
The colour of key indicator (green)    Beep+, Beep

Enter the setting code. <b>03+#</b>
The colour of key indicator (green)    Beep+, Beep

Enter the mastercode <b>1234+#</b>
The color of key indicator (green → blue-white)    Beep+

Enter the new master code (ex.: 4321)(1~12 digits) <b>4321+#</b>
The color of key indicator (green → blue-white)    Beep+

Enter the code req. (ex.: 10) range:00 or 10~99 <b>10+#</b>
The color of key indicator (green → blue-white)    Beep+

Enter the code req. (ex.: 09) range:01~99 <b>09+#</b>
The color of key indicator (green → blue-white)    Beep+

<ul style="list-style-type: none"> <li>- When the “ * cancel” key is pressed, the indicator will show the standby color, the buzzer beeps, and the system will exit the out of programming mode.</li> <li>- When there isn't any operation within 10s, the indicator will show the standby color, the buzzer beeps, and the system will exit the programming mode.</li> <li>- When a setting input fails, the color of key indicator will turn red and the buzzer will beep.</li> </ul>	The colour key indicator (The colour of standby)    Beep, Beep+
---	--

- All settings will restore to their default value.  
- With power on and the reset is activated, the key illumination will blink and the touching will not operate, once complete the key illumination will stop flashing and a long beep will be emitted.

- The master code can be 1~12 digits in length. The same code cannot be set for both the user code and the master code. It is recommended that the master code is changed from the default code.

- If the key illumination time is set to 00, the key illumination will be lit constantly when the power is on.  
- If the key illumination time is set to 10~99, the key illumination will light up for 10~99 seconds. In this mode, the key illumination switches off in standby mode, touching any digital key will illuminate, this activation only turns on the keypad it is not included with any code used..

- The unlock time can be set by both monitor and door station, the valid value is always the time last set either at the door station or monitor..

Input the master code.  
(Default: [ 1 2 3 4 ] +[#])

The colour of key indicator  
(blue-white)      Beep+, Beep

**5. Setting the unlock mode (Default : 0(opened))**      **6. Setting operation tone (Default : ON)**      **7. Reset code setting**      **8. \* & # function setting (Default : Normal)**

Enter the setting code.  
**04+#**

The colour of key indicator  
(green)      Beep+, Beep

Enter the setting code.  
**05+#**

The colour of key indicator  
(green)      Beep+, Beep

Enter the setting code.  
**06+#**

The colour of key indicator  
(green)      Beep+, Beep

Enter the setting code.  
**07+#**

The colour of key indicator  
(green)      Beep+, Beep

**0/1**

Enter the code req. (ex.: 1)  
range: 0= NO / 1= NC  
**1+#**

The colour of key indicator  
(green→blue-white)      Beep+

**0/1**

Enter the req. (ex.: 1)  
req range: 0 = on /1= off  
**1+#**

The colour of key indicator  
(green→blue-white)      Beep+

Enter the code  
**1234+#**

The colour of key indicator  
(green→blue-white)      Beep+

**0/1**

Enter the code req. (ex.: 1)  
range:0:(normal)/1:(reverse)  
**1+#**

The colour of key indicator  
(green→blue-white)      Beep+

- When the “ \* cancel” key is pressed, the indicator will show its standby colour, the buzzer beeps, and the system exits the setting mode.  
- When there isn't any operation in 10s, the indicator will show its standby colour, the buzzer beeps, and the system exits the setting mode.  
- When a setting input fails, the color of key indicator will turn red and the buzzer will beep.

The colour of key indicator  
(The colour of standby)      Beep, Beep+

- The unlock mode can be set by both monitor and door station, and the valid value always the last value set.

- When the operation tone is set to 0, pressing the digital keypad will issue a beep.  
- When the operation tone is set to 1, pressing the digital keypad will flash one time.

- Cancel all the passwords except the master code.  
- Restore the master code to default value(1,2,3,4)

- When set to 0, press the \* button to cancel the input and press the # button to confirm the input.  
- When set to 1, press the # button to cancel the input and press the \* button to confirm the input.

Input the master code.  
(Default: [ 1 2 3 4 ] +[#])

The colour of key indicator  
(blue-white)    Beep+, Beep

9. Language (Default : 2)      10.Voice Volume (Default : 5)      11.MIC volume adjust setting (Default:7)      12.SPK volume adjust setting (Default:4)

Enter the setting code.  
**08+#**

The colour of key indicator  
(green)    Beep+, Beep

Enter the setting code.  
**09+#**

The colour of key indicator  
(green)    Beep+, Beep

Enter the setting code.  
**10+#**

The colour of key indicator  
(green)    Beep+, Beep

Enter the setting code.  
**11+#**

The colour of key indicator  
(green)    Beep+, Beep

0/1  
Enter the code req. (ex.: 1)  
range:0~9  
**1+#**

The colour of key indicator  
(green→blue-white)    Beep+

Enter the code req. (ex.: 3)  
range:0~9  
**3+#**

The colour of key indicator  
(green→blue-white)    Beep+

Enter the code req. (ex.: 5)  
range:0~9  
**5+#**

The colour of key indicator  
(green→blue-white)    Beep+

Enter the code req. (ex.:5)  
range:0~9  
**5+#**

The colour of key indicator  
(green→blue-white)    Beep+

- When the “ \* cancel” key is pressed, the indicator will show its standby colour, the buzzer beeps, and the system exits the setting mode.  
- When there isn't any operation in 10s, the indicator will show its standby colour, the buzzer beeps, and the system exits the setting mode.  
- When a setting input fails, the colour of key indicator will turn red and the buzzer will beep.

The colour of key indicator  
(The colour of standby)    Beep, Beep+

- Unlock via pin (password) is still available even when a call is in progress
- When in talking mode, enter the Master code (the LED turns white) to activate the volume adjusting function:
  - \* MIC adjustment: 1 (up), 4 (down);
  - \* Speaker adjustment: 3 (up), 6 (down).

Input the master code.  
(Default: [ 1 2 3 4 ] +[#])

The color of key indicator  
(blue-white) Beep+, Beep

13. Device address setting (Default : 0)      14. Night light level setting (Default : 4)

Enter the setting code.  
**12+#**

The colour of key indicator  
(green) Beep+, Beep

Enter the setting code.  
**13+#**

The colour of key indicator  
(green) Beep+, Beep

0/1

Enter the code req. (ex.: 1)  
range:0~2  
**1+#**

The colour of key indicator  
(green→blue-white) Beep+

Enter the code req. (ex.: 3)  
range:0~5  
**3+#**

The colour of key indicator  
(green→blue-white) Beep+

- When the “ \* cancel” key is pressed, the indicator will show its standby colour, the buzzer beeps, and the system exits the setting mode.
- When there isn't any operation in 10s, the indicator will show its standby colour, the buzzer beeps, and the system exits the setting mode.
- When a setting input fails, the colour of key indicator will turn red and the buzzer will beep.

The colour of key indicator  
(The colour of standby) Beep, Beep+

- Device address Settings:  
0 (device address:0),  
1 (device address:1),  
2 (device address:2),  
3 (device address:3).

- Night Light Level: 0~5.  
-The higher the number, the brighter the night lights.



Input the master code.  
(Default: [ 1 2 3 4 ]+[#] )

The color of key indicator  
(blue-white)    Beep+, Beep

**15. Temporary Code (Single Use only) Password for relay1**      **16. Temporary Code (Single Use only) Password for relay2**      **17. Setting the code for user group1 Locations 20 to 59**      **18. Setting the code for user group2 Locations 60 to 99**

<p>Enter the setting code. <b>18+#</b></p> <p>The colour of key indicator (green)    Beep+, Beep</p>	<p>Enter the setting code. <b>19+#</b></p> <p>The colour of key indicator (green)    Beep+, Beep</p>	<p><b>20~59</b></p> <p>Enter the setting code (ex.:21)    <b>21+#</b></p> <p>The colour of key indicator (green)    Beep+, Beep</p>	<p><b>60~99</b></p> <p>Enter the setting code. (ex.:60)    <b>60+#</b></p> <p>The colour of key indicator (green)    Beep+, Beep</p>
--	--	---	--

<p>Enter the code req (ex.: 1006) 1~12 digits    <b>1006+#</b></p> <p>The colour of key indicator (green→blue-white)    Beep+</p>	<p>Enter the code req (ex.: 2011) 1~12 digits    <b>2010+#</b></p> <p>The colour of key indicator (green→blue-white)    Beep+</p>	<p>Enter the code req (ex.: 2011) 1~12 digits    <b>2011+#</b></p> <p>The colour of key indicator (green→blue-white)    Beep+</p>	<p>Enter the code req (ex.: 2012) 1~12 digits    <b>2012+#</b></p> <p>The colour of key indicator (green→blue-white)    Beep</p>
---	---	---	--

- When the " \* cancel" key is pressed, the indicator will show its standby colour, the buzzer beeps, and the system exits the setting mode.

- When there isn't any operation in 10s, the indicator will show its standby colour, the buzzer beeps, and the system exits the setting mode.

- When a setting input fails, the colour of key indicator will turn red and the buzzer will beep.

The color of key indicator  
(The color of standby)    Beep, Beep+

- When the correct temporary password has been used to release the door the system will clear the temporary password after 60 seconds. The password is still valid for 60 seconds after entering the correct temporary password
- Temporary 1 is used to release the first lock and temporary 2 is used to release the second lock (the second lock requires external device , CDV-RLC, to support this function).
- If the password length exceeds 12 digits, the system will emit 4 beeps eg. "beep,beep,beep,beep"and the digits entered before will be cleared at the same time.
- The temporary code can not be set the same as the master code and user code.

- The user code group 1 is used to release the first lock and the user code group 2 is used to release the second lock (the second lock requires external device CDV-RLC to support this function).
- If the password length exceeds 12 digits, the system will emit 4 beeps eg. "beep,beep,beep,beep",and the digitals you input before will be cleared at the same time.
- The user code can not be set the same as the master code and temporary code.

Input the master code.  
(Default: [ 1 2 3 4 ]+[#])

The color of key indicator  
(blue-white)    Beep+, Beep

**19. Work mode setting** (Default:1/villa)    **20. Call address setting** (Default:villa:00, 16; apartment:00~31)    **21. Display scene setting** (Default:0)    **22. TS\_Sensitivity** (Default:3)

Enter the setting code.  
**100+#**

The colour of key indicator  
(green)    Beep+, Beep

Enter the setting code.  
**101+#**

The colour of key indicator  
(green)    Beep+, Beep

Enter the setting code.  
**102+#**

The colour of key indicator  
(green)    Beep+, Beep

Enter the setting code.  
**103+#**

The colour of key indicator  
(green)    Beep+, Beep

Enter the code req (ex.: 1)  
range:0 (apartment)/1:(villa)  
**0+#**

The colour of key indicator  
(green→blue-white)    Beep+

Enter the code req (ex.: 1)  
range:Valid keys: 0 - 9  
**0+#**

The colour of key indicator  
(green→blue-white)    Beep+

Enter the code req (ex.: 1)  
range:0(a partment)/1:(villa)  
**0+#**

The colour of key indicator  
(green→blue-white)    Beep+

Enter the code req (ex.: 1)  
range:Valid keys: 0 - 9  
**0+#**

The colour of key indicator  
(green→blue-white)    Beep+

- When the “ \* cancel!” key is pressed, the indicator will show its standby colour, the buzzer beeps, and the system exits the setting mode.  
- When there isn't any operation in 10s, the indicator will show its standby colour, the buzzer beeps, and the system exits the setting mode.  
- When a setting input fails, the colour of key indicator will turn red and the buzzer will beep.

The color of key indicator  
(The color of standby)    Beep, Beep+

- Work mode setting:  
0 = apartment (multiway)  
1 = villa (House)

- When the work mode is villa, the call address: 00 or 16.  
- When the work mode is a partment, the range of call address:00~31.

- **Scene 0:**  
standby(blue)  
calling (blue blinks rapidly)  
talking(blue blinks slowly)  
unlock(green).  
- **Scene 1:**  
standby(green)  
calling (green blinks rapidly)  
talking (greenblinks slowly),  
unlock(blue).  
- **Scene 2:**  
standby(blue)  
calling (yellow)  
talking(red)  
unlock(green).

TS = Touch screen

## 7.Unlock Operations

### Unlocking by user code

When the registered user code has been entered using the keypad (1~12 digits), the LED background indicator lights up, the buzzer sounds and the electric door strike is unlocked (note; that you should press "#" button(if "#" button is set as the confirm button) after entering the unlock code.

- The time interval during which the buttons must be pressed is approximately 10 seconds. If the time interval exceeds approximately 10 seconds, the input value will be cleared.
- If you make a mistake when inputting the user code press the "cancel" button '\*' and input user code again.
- The keypad will be locked and disabled for 60 seconds if an incorrect password is entered 10 times. During this time the buzzer will sound continuously.



1. During calling,pressing "cancel" button '\*' will cancel the call.

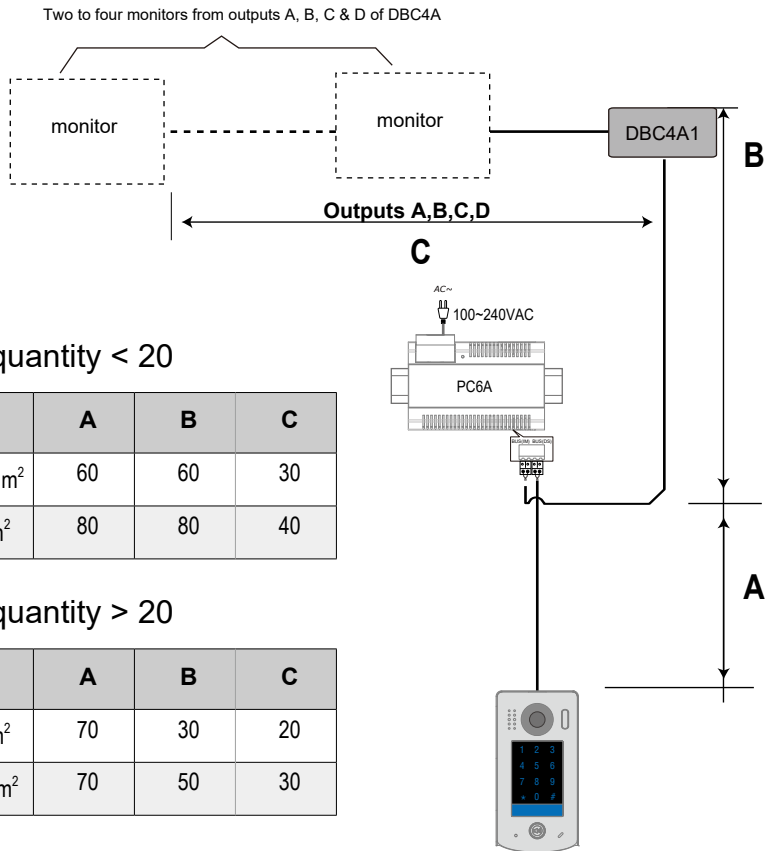
2. If the incorrect password is entered, the buzzer will sound of beep,beep,beep

## 8.Specifications

- Power Supply : DC 24V ;
- Power Consumption: Standby 15mA; Working status 105mA;
- Camera: Color CMOS, 2.0 Mega pixel  
1/2.7" fisheye camera,170° wide angle;
- Unlocking time: 1~99s
- Lock Power supply: 12Vdc, 280mA(Internal Power);
- Number of relay circuits: 2(the second lock requires external device to support)
- Mounting: Surface mounting(CDV96KP)
- Flush mounting (CDV96KP-SF)
- Working temperature: -15°C ~ +55°C
- Dimension: 182(H)×93(W)×44(D)mm(CDV96KP)
- 220(H)×120(W)×50(D)mm(CDV96KP-SF)

## 9. Cable Requirements

The maximum distance of the wiring is limited within the 2Easy system. Using different cables may also affect the maximum distance which the system can reach.



When Monitor quantity < 20

Cable Usage	A	B	C
Twisted cable 2x0.75 mm <sup>2</sup>	60	60	30
Twisted cable 2x1 mm <sup>2</sup>	80	80	40

When Monitor quantity > 20

Cable Usage	A	B	C
Twisted cable 2x1 mm <sup>2</sup>	70	30	20
Twisted cable 2x1.5 mm <sup>2</sup>	70	50	30

## 10. Precautions

- Please clean the unit with soft cotton cloth, don't use any impregnated cloth or chemical clean agent. If necessary, please use a little pure water or dilute soap water to clean the dust.
- The unit is weather resistant. However do not spray high pressure water on access control keypad directly. Excessive moisture may cause problems with the unit.
- You must use the right adaptor which is supplied by the manufacture or approved by the manufacture..
- Pay attention to the high voltage inside the products, please refer service only to a trained and qualified professional.



# Note

A series of horizontal dotted lines for writing notes.

The design and specifications can be modified without notice to the user. Right to interpret and copyright of this manual are reserved.